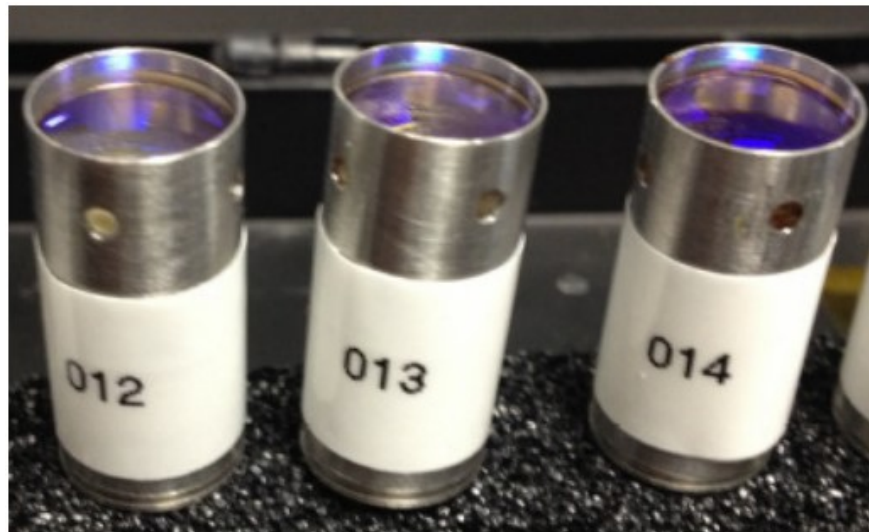


1mW 830nm Collimated VCSEL Module PCW-TO-001-W0830-0.5



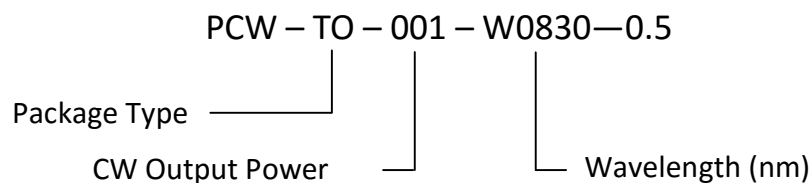
Optical & Electrical Characteristics

PARAMETER	CONDITIONS
Wavelength	820 - 840 nm
Driving current	0.5 - 4 mA
Compliance voltage	1.7 - 2.3 V
Output power	0 - 1.5 mW
Beam diameter* at 0 m	3.65 mm
Beam diameter* at 16 m	< 9.0 mm
Beam diameter* at 32 m	< 16.0 mm
Divergence	< 0.39 mrad
Operating temperature	10 - 50 °C

* Beam diameter is defined as $1/e^2$ intensity diameter

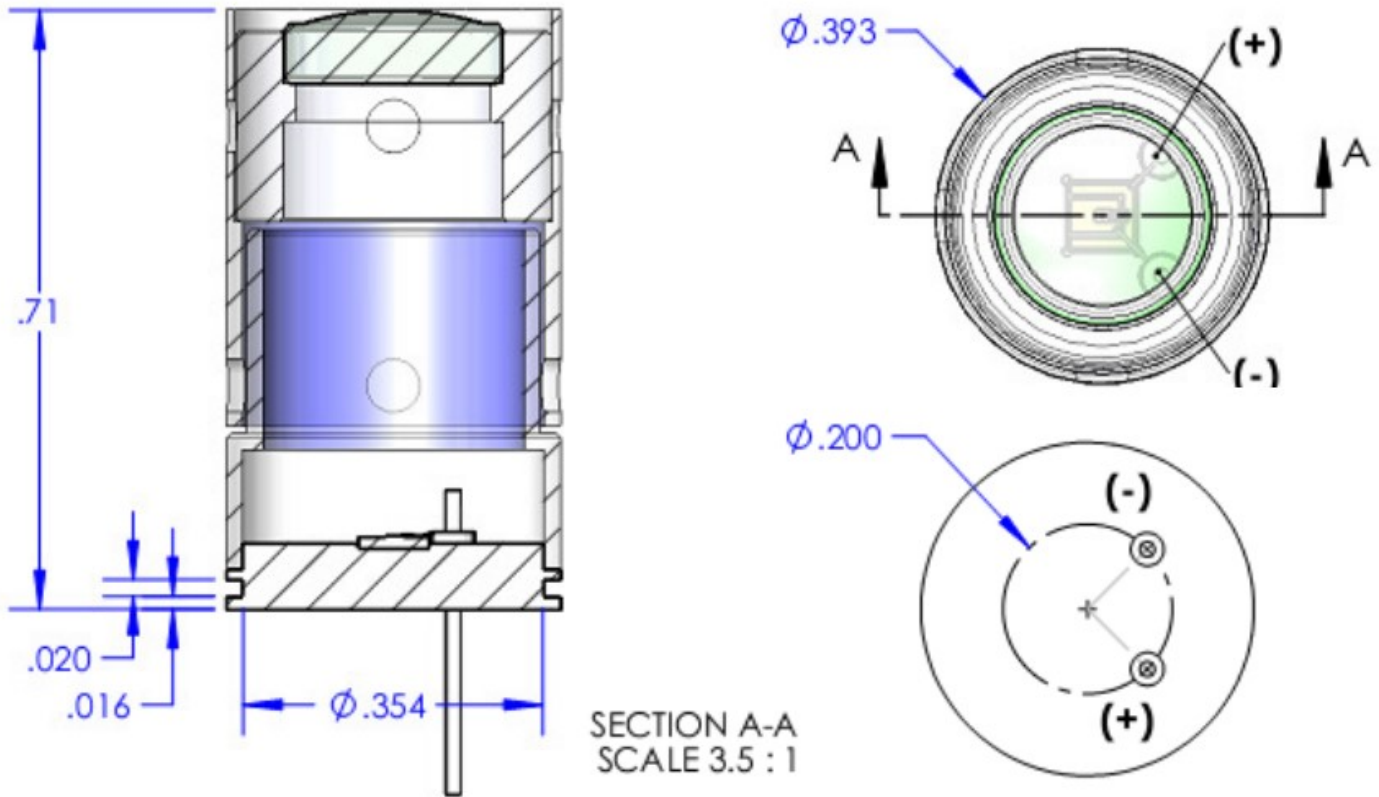
** Full angle divergence

Ordering information



Mechanical Drawing

Size: 0.71" (18 mm) L x 0.393" (10 mm) Dia.



Copyright © 2013 Princeton Optronics, Inc.
All Rights Reserved.

Princeton Optronics reserves the right to change product design and specifications at any time without notice.

No license is granted by implication or otherwise under any patents or patent right of Princeton Optronics. No responsibility is assumed for the use of these products, nor for any infringement on the rights of others resulting from the use of these products

Laser diode product components are intended for use in a user-devised end system. However, these products are capable of emitting Class IV radiation. Extreme care must be exercised during their operation. Only persons familiar with the appropriate safety precautions should operate a laser product. Directly viewing the laser beam or exposure to specular reflections must be avoided. Serious injury may result if any part of the body is exposed to the beam. The eye is extremely sensitive to the infrared radiation and therefore, proper eye-wear must be worn at all times. Use of optical instruments with these products may increase eye hazard. Always wear eye protection when operating.



REV.B – 8/16